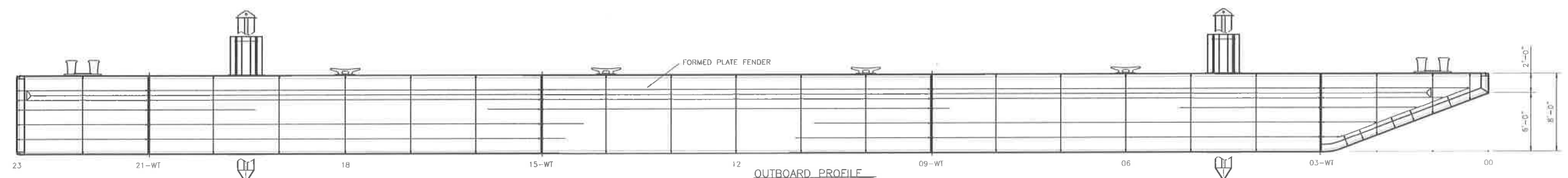
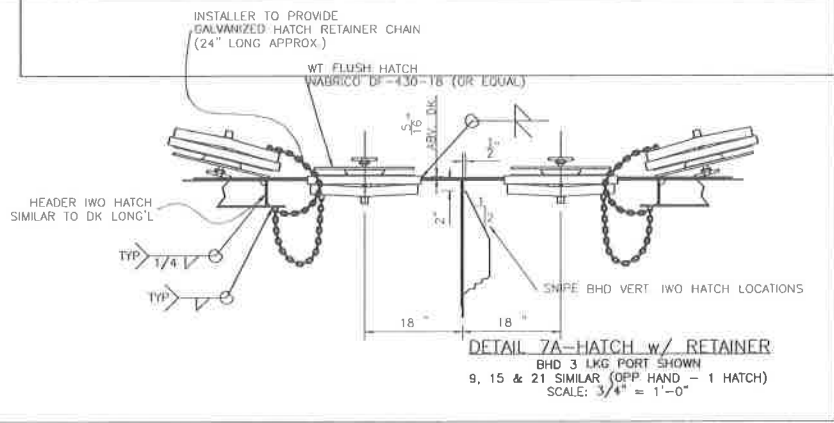


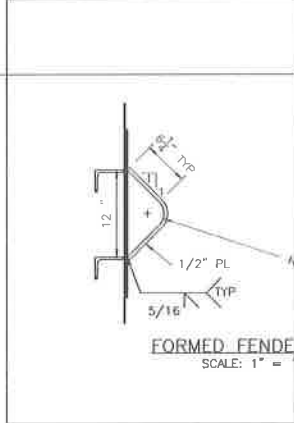
DECK PLAN
SCALE: 1/8" = 1'-0"



OUTBOARD PROFILE
SCALE: 1/8" = 1'-0" FORWARD



DETAIL 7A-HATCH w/ RETAINER
BHD 3 LKG PORT SHOWN
9, 15 & 21 SIMILAR (OPP HAND - 1 HATCH)
SCALE: 3/4" = 1'-0"



FORMED FENDER
SCALE: 1" = 1'-0"

TABLE OF SCANTLINGS	
1. DECK PLATE	3/8"
2. SIDE PLATE	3/8"
3. BOTTOM PLATE	3/8"
4. TRANSVERSE BHD PLATE	1/4" (5/16" IF CORRUGATED)
5. LONGITUDINAL BHD PLATE	1/4" (5/16" IF CORRUGATED)
6. RAKE BOTTOM PLATE	3/8"
7. HEADLOG PLATE	1/2"
8. STERN TRANSOM PLATE	3/8"
9. CORNERS	1/2"
10. DECK TRANSVERSE	C12X20.7#
11. SIDE TRANSVERSE	C12X20.7#
12. BOTTOM TRANSVERSE	C9X13.4#
(ALTERNATE FLGPI 13X35/16 FR'S 01 & D2)	
13. LONG'L BHD TRANSVERSE	15X3 1/2X5/16
14. HEADLOG STIFFENER	FLGPI 12X35/16
15. DECK LONGITUDINAL	15X3 1/2X5/16
16. SIDE LONGITUDINAL	14X35/16
17. BOTTOM LONGITUDINAL	14X35/16
18. TRANS BHD STIFFENER	FB 5X5/16
19. TRANSOM HORIZONTALS	14X35/16
20. FENDER	1/2" FORMED PLATE

- GENERAL NOTES**
1. TO BE BUILT TO A.B.S. INLAND RULES
 2. ALL COMPARTMENTS ARE VOIDS
 3. ALL DECK FITTINGS TO HAVE 1/2" PLATE DOUBLERS
 4. SEE SEPARATE SPECIFICATION FOR COATINGS
 5. MAXIMUM ALLOWABLE UNIFORM DECK LOAD = 1700 PSF

CBC 2151, CBC 2152
CBC 2153, CBC 2154

ISSUED FOR REVIEW

M. Dan Jones & Associates
MARINE ENGINEERS ARCHITECTS
SUGAR LAND, TX
(281) 343-1888

CANAL BARGE COMPANY
150' x 60' x 8' DECK SPUD BARGE

DATE: 10-29-13
APP'D: [Signature]
TITLE: GENERAL ARRANGEMENT

SCALE: AS NOTED DWG. NO. 13-35-08-01 ALT. A

SHEET 1 OF 1

This design and drawing are the exclusive properties of M. Dan Jones & Assoc. and are furnished strictly on a confidential basis. No portion of this drawing may be copied, traced, photographed, or in any other way reproduced nor may any item hereon depicted be manufactured or shown without the written consent of M. Dan Jones & Assoc. The recipient of the information contained hereon may not disclose the same to any other person, nor may he use such information except for the specific purpose intended.